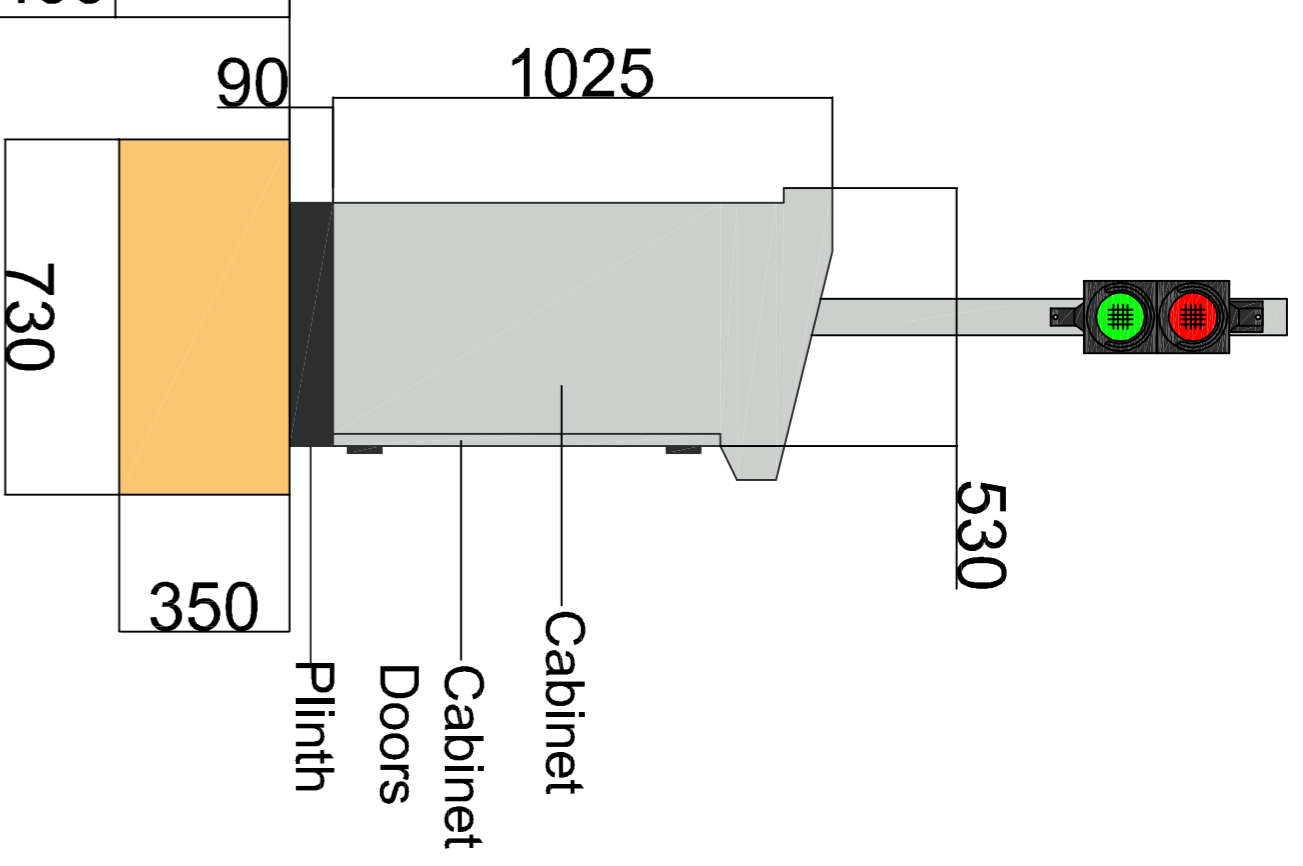
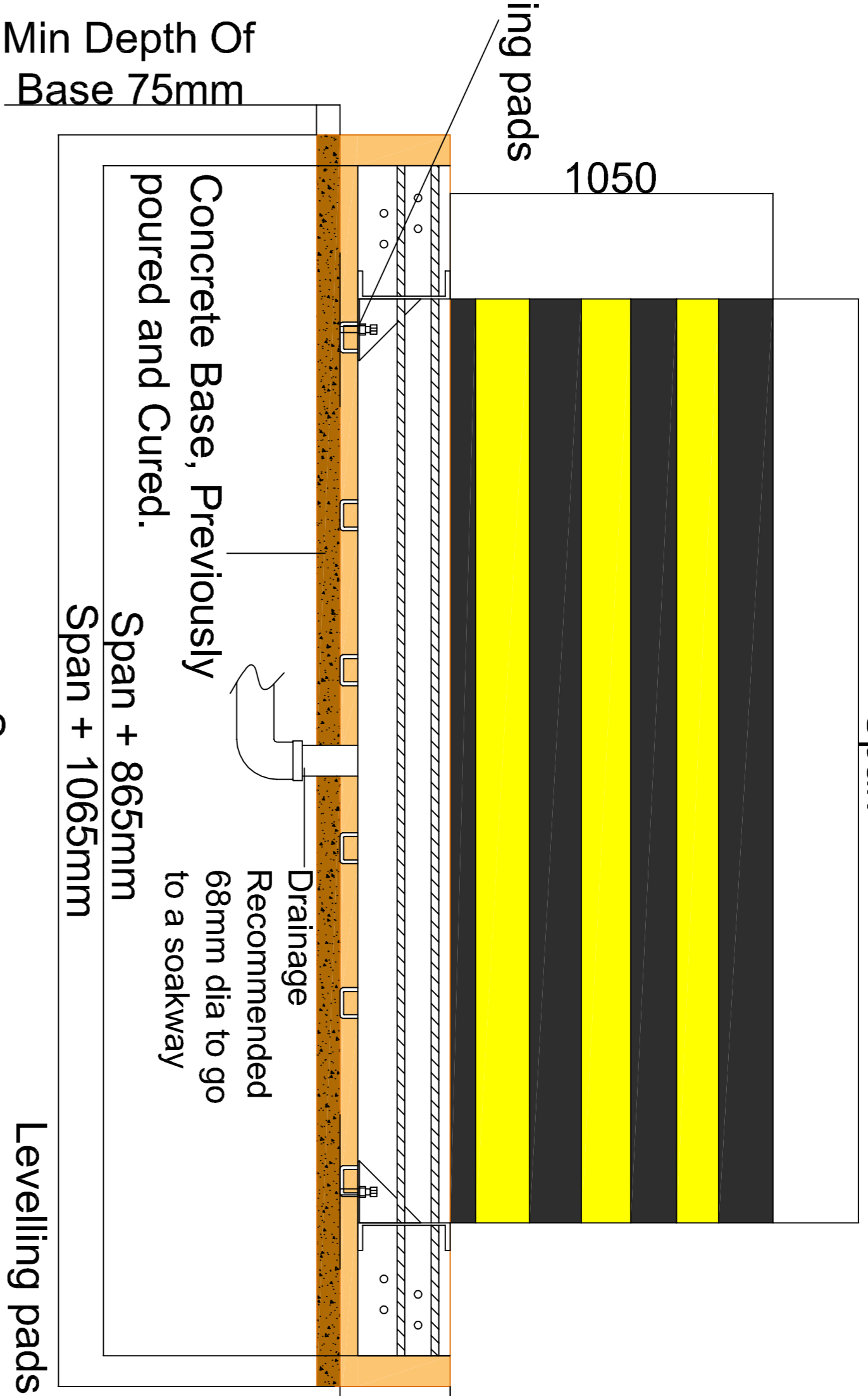
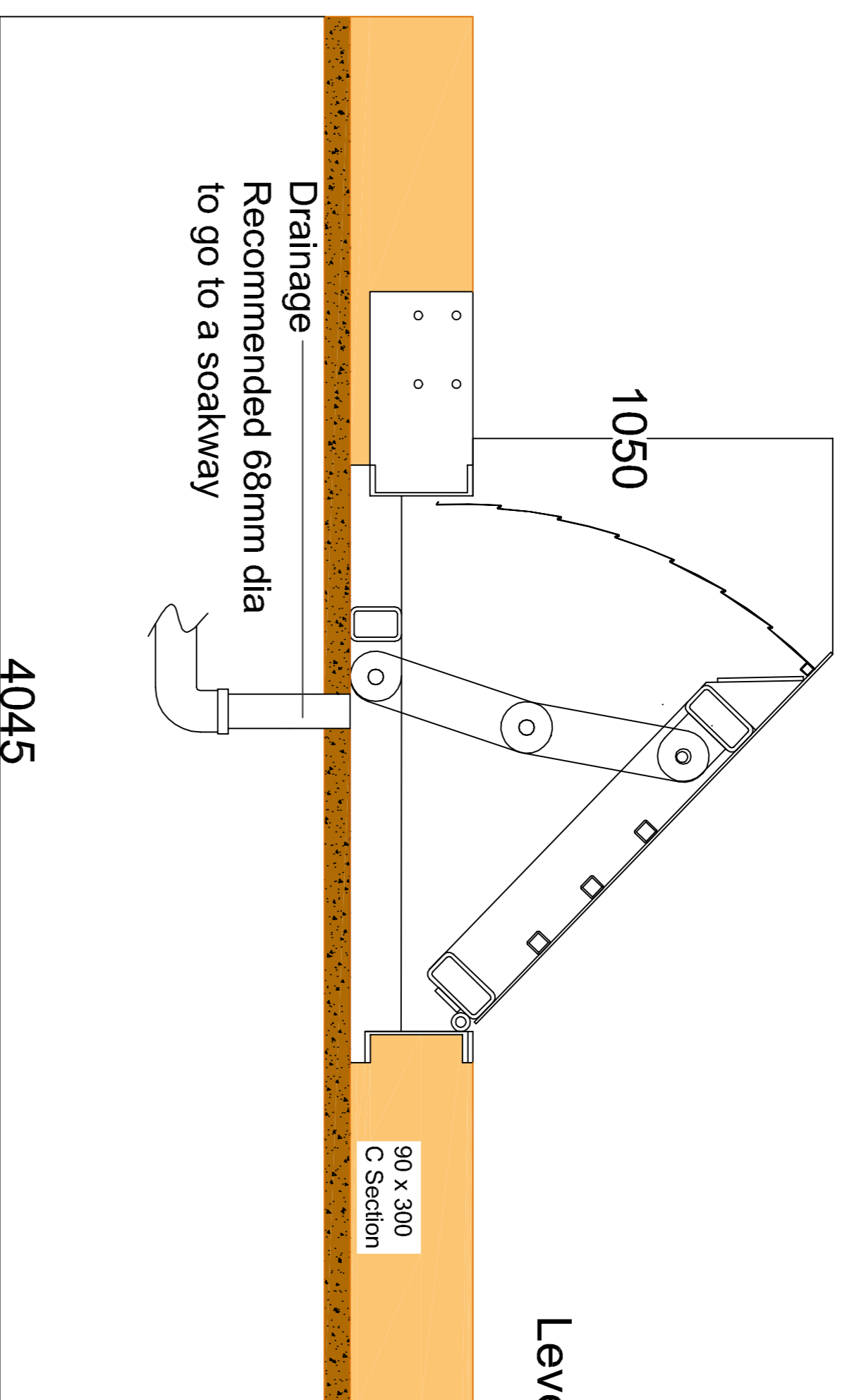
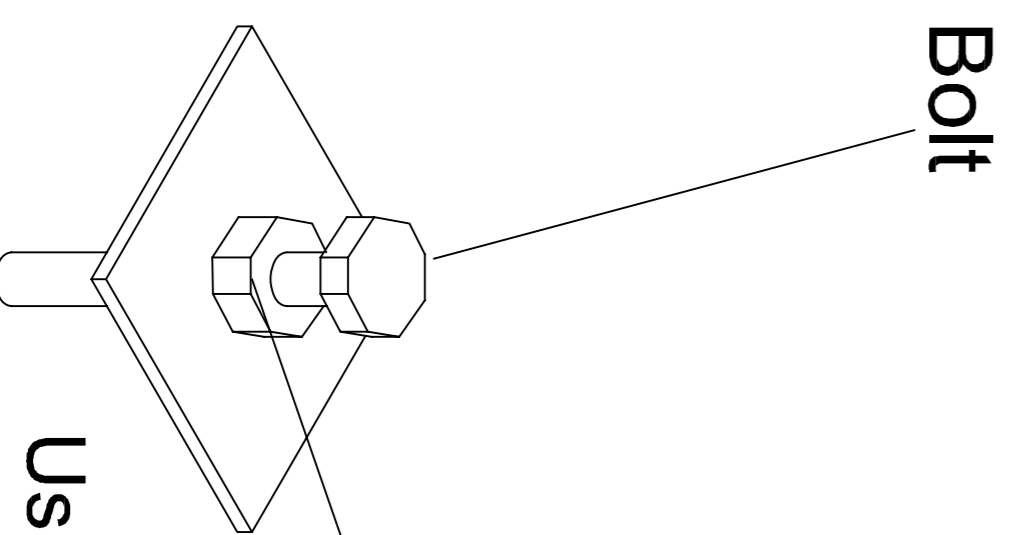
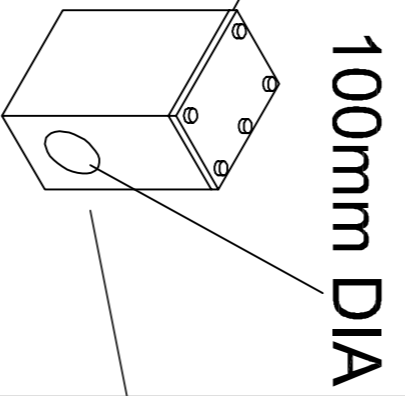


# K12 Shallow Mounted Blocker

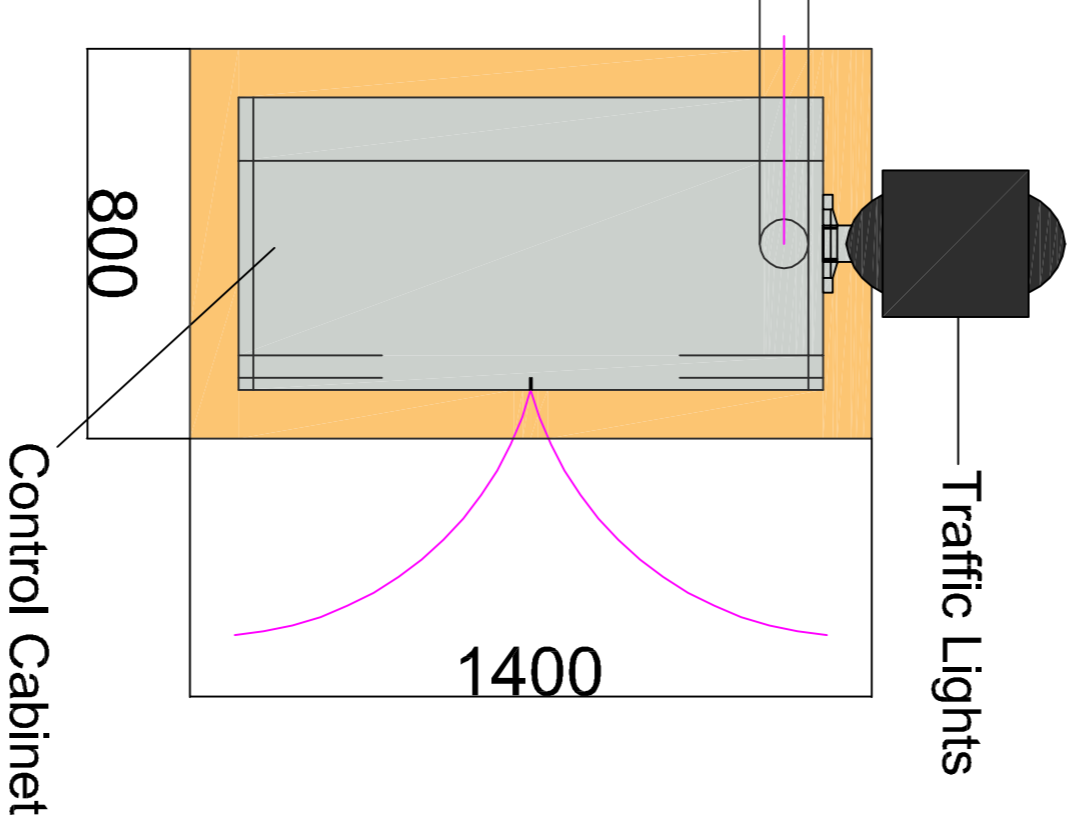
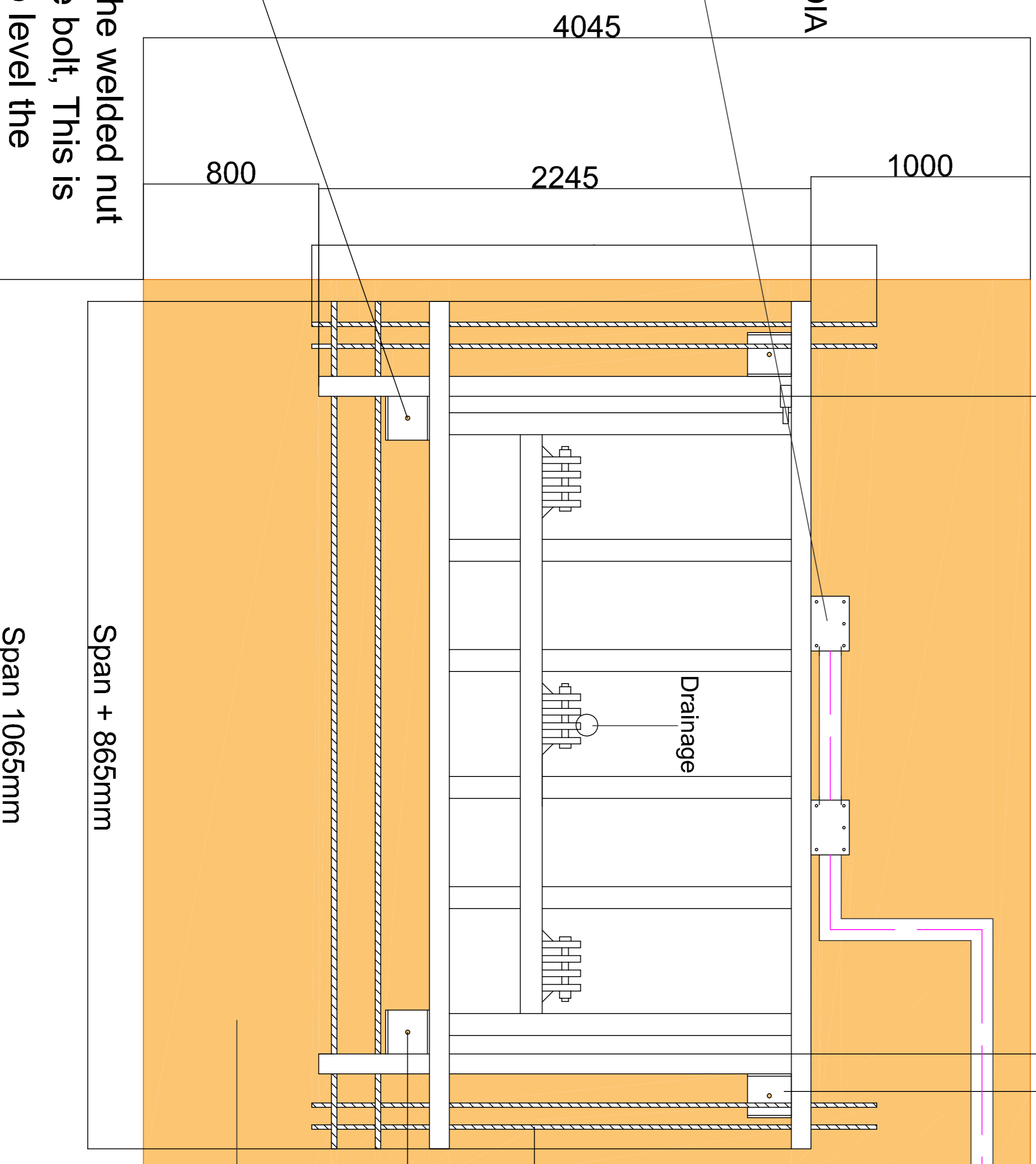
Section Through  
Open



Back Boxes.  
the side in which the cabinet sits must be specified, as these boxes are handed.



Using the welded nut and the bolt, This is used to level the Blocker.



Rebar, Used to key in the kerb to the concrete  
Levelling pads  
Recommended Concrete: C35 Mix  
Curing Time: 28 days.

General Notes

KEY POINTS:

INSTALLATION NOTE  
THE PIT FOR THE RISING KERB TO BE DUG OUT FULLY PRIOR TO KERB BEING INSTALLED AND A SOLID BED IS RECOMMENDED TO LOWER THE KERB ONTO. ONCE IN POSITION THE KERB IS TO BE LEVELLED AND THEN CONCRETE TO BE POURED AROUND THE KERB TO SECURE.

FOUNDATION FOR CONTROL PANEL  
CONCRETE TO BE CAST 28 DAYS BEFORE INSTALLATION OF PANEL. PANEL TO BE FIXED DOWN TO CONCRETE WITH SELF EXPANDING BOLTS (PARABOLTS), HOLES TO BE DRILLED ON INSTALLATION.

IT IS THE CLIENT'S RESPONSIBILITY TO ADVISE US OF ANY UNDERGROUND SERVICES, CABLES, PIPES AND DUCTS IN THE VICINITY OF ANY FOUNDATION, PRIOR TO ANY WORK BEING CARRIED OUT BY US.  
WE RESERVE THE RIGHT TO SUSPEND ALL CIVIL WORK UNTIL ALL ISSUES THAT INTERFERE WITH THE INSTALLATION HAVE BEEN RECTIFIED.

PLEASE NOTE THAT THERE SHOULD BE SUITABLE DRAINAGE IN THE BASE BEFORE THE BLOCKER IS PLACED. THERE MUST BE A SOLID CONCRETE BASE FOR THE BLOCKER TO BE PLACED UPON

11.		
10.		
9.		
8.		
7.		
6.		
5.		
4.		
3.		
2.		
1.	Revision A	03/10/13
No.	Revision/Issue	Date

PRINT NAME:

SIGNATURE:

Dwg Number: K12 Blocker

Date: 03/10/2013

Drawn By: Graham Bowen

Sheet: 1