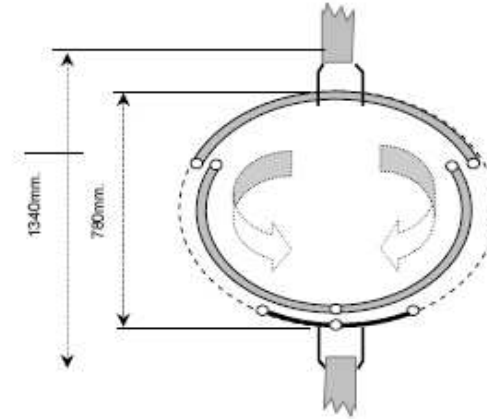
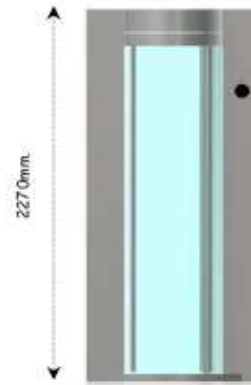




PF4900 CYLINDER GATE



Technical Specifications

Power Supply	220V. 50Hz. Beklemede ~14W. Max. ~130W.
Dimensions	1340x2270x780
Weight	~280kg.
Sliding Doors	Cylindrical shape, all 2 mm 304 Staines Steel grinded and shaped
Body Feature	Exterior - Pendulums are located in between the fixed panel and the wall. Control unit is placed within the pendulums. Interior - Motor-driven internal cabinet Opt. Transparent acrylic.
Working temperature	-10°C / +45°C (Ops.-50°C isi pozitifleme)
Control System	Can be controlled through dry contact or any tension in between TTL. CMOS. 5-48 v. Can be operated harmoniously with all kinds of access control units and token system when integrated. The functions can be controlled via RS 232, RS 485 or LAN network.

