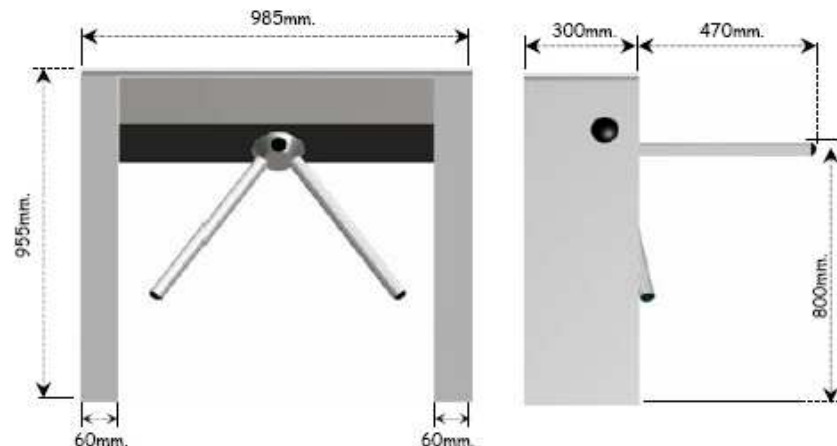


## PF4700ES HALF HEIGHT TURNSTILE



### Technical Specifications

Power Supply	220 v. 50 Hz. at standby ~11 W.Max. ~60W.	
Arms	Ø40x2,5mm. Anodised hard mat aluminium (Opt. Stainless steel). Can be dismantled or mounted one by one separately	
Dimensions	985x955x300+Arm length(470mm)	(Aluminium leg (60mm.))
	1080x955x300+Arm length (470mm)	(Chrome leg (100mm.))
Weight	~40kg.	
Body Features	1,5 mm 304 stainless steel (SS) protected against water for external utilisation, legs are aluminium. (Opt. Chrome legs)	
Working Temperature	-10°C/+45°C (Opt. -50°C with heater unit)	
Control System	Can be controlled through dry contact or any tension in between TTL. CMOS. 5-48 v. Can be operated harmoniously with all kinds of access control units and token system when integrated. The functions can be controlled via RS 232, RS 485 or LAN network.	
Flow Rate	Number of Persons / minute Min.12 - Max.30	

(Please note that the above given figures are approximate for one person per walkway or lane. Utilisation of different access control units can change the figures between minimum and maximum rates)



Units B & D, Dunton Park  
Kingsbury Road, Curdworth  
Sutton Coldfield  
West Midlands B76 7EB

Tel: 01675 471122 Fax: 01675 471133  
Email: [sales@parkingfacilities.co.uk](mailto:sales@parkingfacilities.co.uk)  
[www.parkingfacilities.co.uk](http://www.parkingfacilities.co.uk)